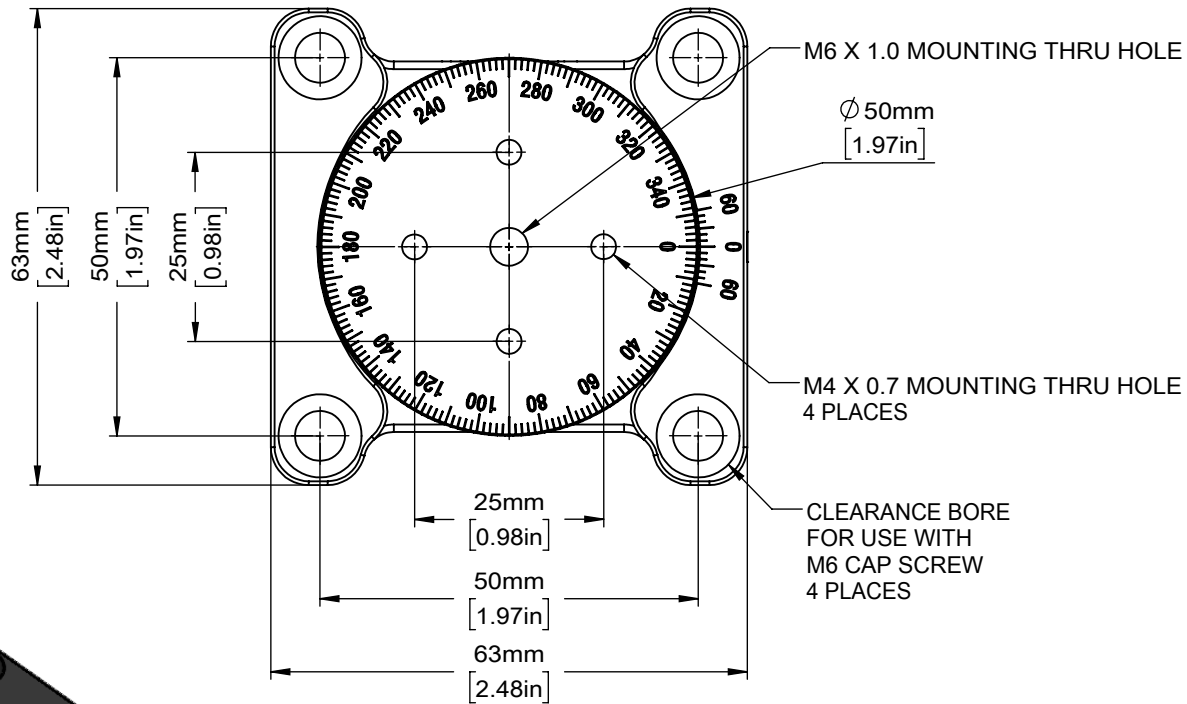
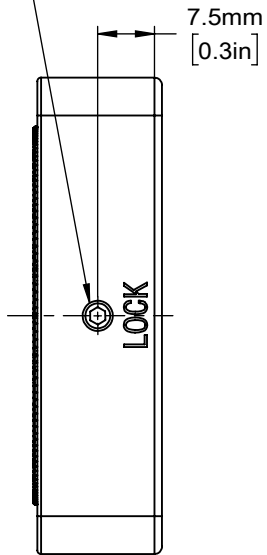


Rubber LOCKING SCREW  
2.0mm [5/64in] HEX



M6 X 1.0 MOUNTING THRU HOLE

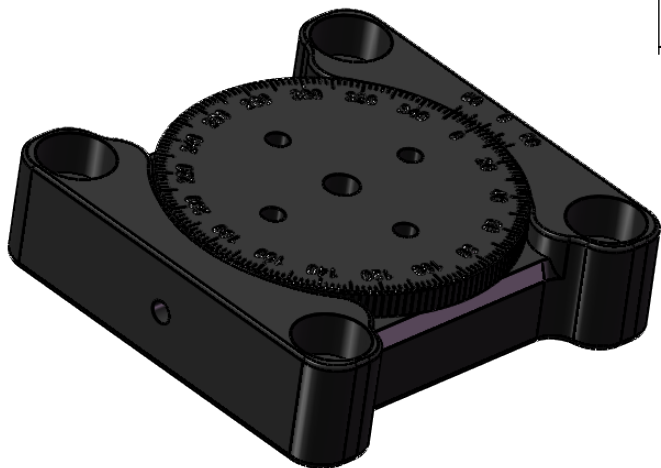
Ø 50mm  
[1.97in]

M4 X 0.7 MOUNTING THRU HOLE  
4 PLACES

CLEARANCE BORE  
FOR USE WITH  
M6 CAP SCREW  
4 PLACES

M4 X 0.7 MOUNTING HOLE  
FOR USE WITH  
METRIC TR SERIES POSTS

8.5mm  
[0.33in]



DRAWING PROJECTION					
REV	A0				
DRAWN	HSY	OMXA50 手动旋转台			
DATE	2020/7/17	WEIGHT	SCALE		
FOR INFORMATION ONLY NOT FOR MANUFACTURING PURPOSES		0.16kg	1:1		