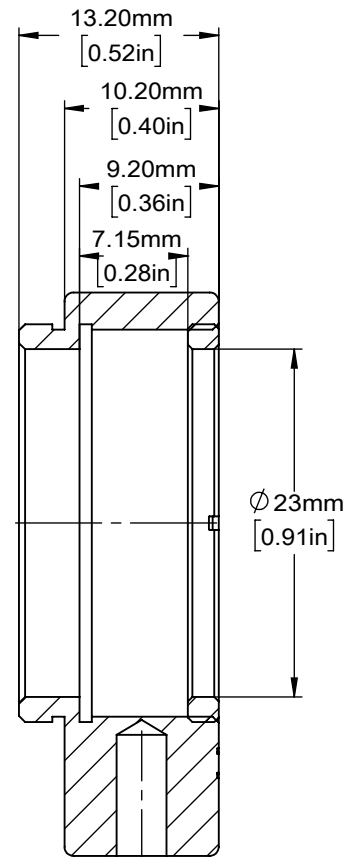
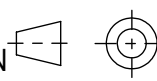


THRU TO CENTER SM1(1.035in-40) SERIES
INTERNAL THREAD ACCEPTS 25.4mm[1.0in]
MAXIMUM 7.2mm[0.28in] THICK OPTICS
1 GYKH25A RETAINING RING INCLUDED
23mm [0.91in] CLEAR APERTURE



A-A



DRAWING PROJECTION 		OMTOOLS	
REV	A0		
DRAWN	TODD	WEIGHT	SCALE
DATE	2020/5/13	0.01kg	2:1
FOR INFORMATION ONLY NOT FOR MANUFACTURING PURPOSES			