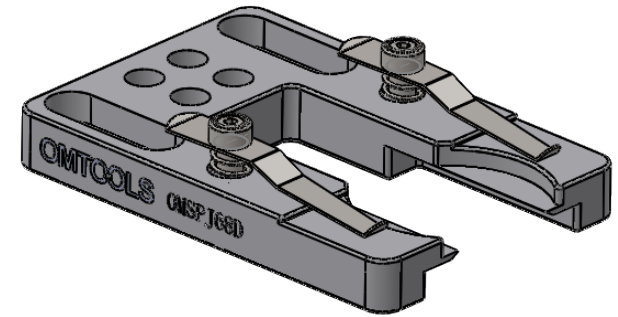
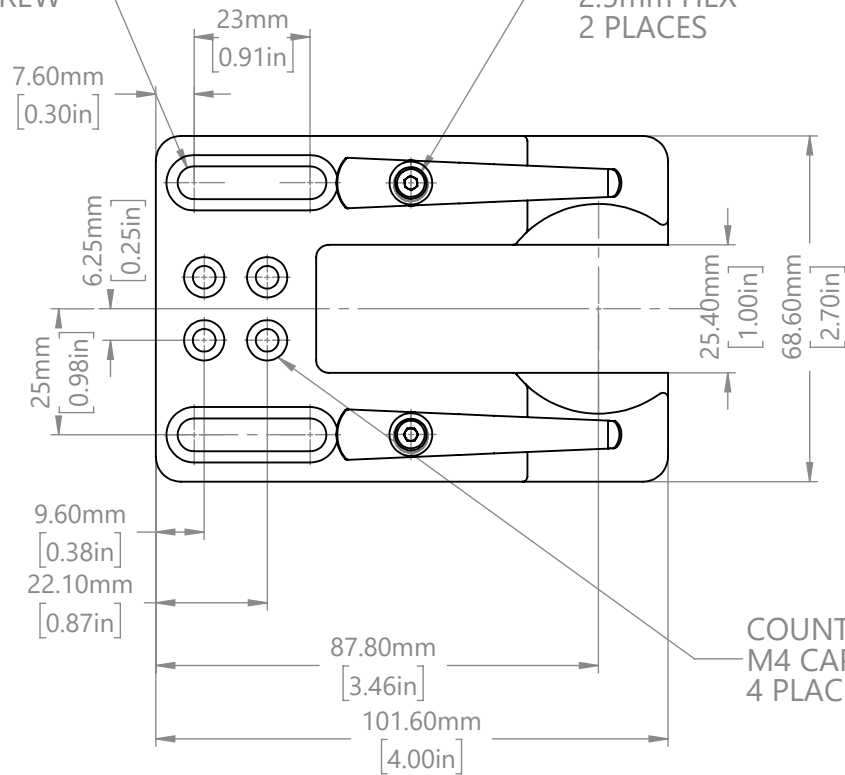


COUNTERBORE SLOT FOR  
M6 CAP SCREW  
2 PLACES

M3 LOCKING SCREW  
2.5mm HEX  
2 PLACES



DRAWING PROJECTION				<b>OMTOOLS</b>	
REV	A0	OMSPJ68D			
DRAWN	TODD			WEIGHT	SCALE
DATE	2023/7/5	0.13kg	1:1.5		
FOR INFORMATION ONLY NOT FOR MANUFACTURING PURPOSES					