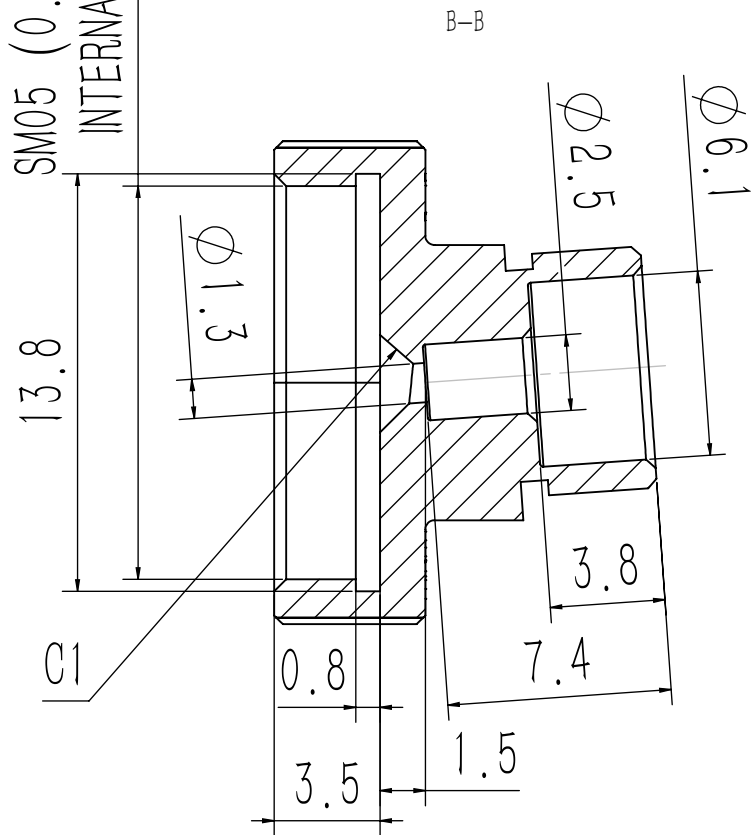


M8 x 0.75
 EXTERNAL THREAD

SM05 (0.535"-40)
 INTERNAL THREAD



DRAWING PROJECTION						OMTOOLS	
REV	A0	SM05N-FAPC 光纤法兰					
DRAWN	TODD	WEIGHT	SCALE				
DATE	2022/11/3	0.01kg	4:1				
FOR INFORMATION ONLY NOT FOR MANUFACTURING PURPOSES							