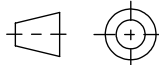


| | | | | | |
|--|------|---|--|------------------|-----------|
| DRAWING PROJECTION | |  | | <h1>OMTOOLS</h1> | |
| REV | A0 | OMZF8382A 纳米压电转台 | | | |
| DRAWN | TODD | | | DATE | 2023/6/13 |
| FOR INFORMATION ONLY NOT FOR MANUFACTURING PURPOSES | | | | 0.54kg | 0.8:1 |