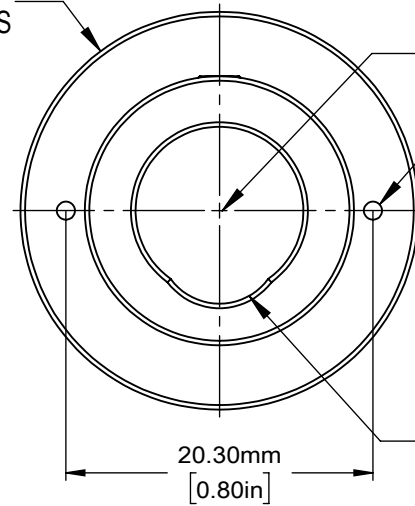


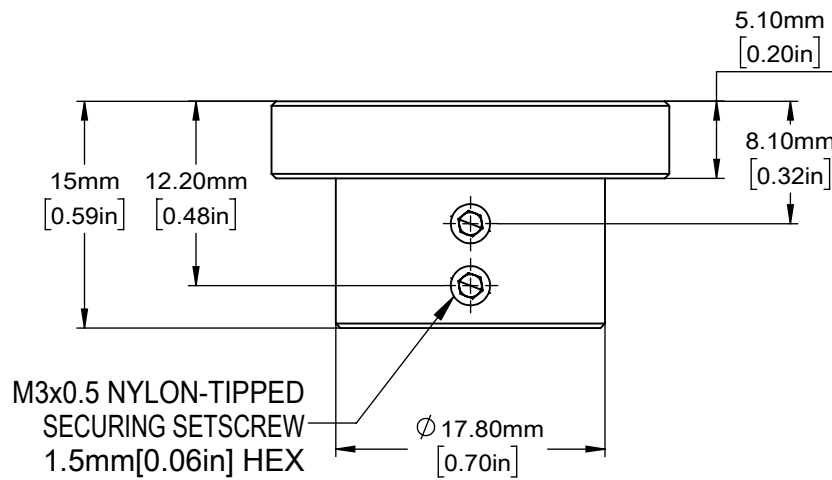
SM1 (1.035"-40)
EXTERNAL THREADS



Ø 11.1mm [0.437in]
CLEARANCE HOLE

2 X 1.2mm [0.05in] HOLES

DOUBLE BORE
PROVIDING 3 POINTS CONTACT
WITH NYLON-TIPPED SETSCREWS



M3x0.5 NYLON-TIPPED
SECURING SETSCREW
1.5mm[0.06in] HEX

Ø 17.80mm
[0.70in]

DRAWING PROJECTION

OMTOOLS

REV A0

FZ1SM11

DRAWN TODD

DATE 2020/7/23

WEIGHT

SCALE

FOR INFORMATION ONLY
NOT FOR MANUFACTURING PURPOSES

0.01kg

2:1