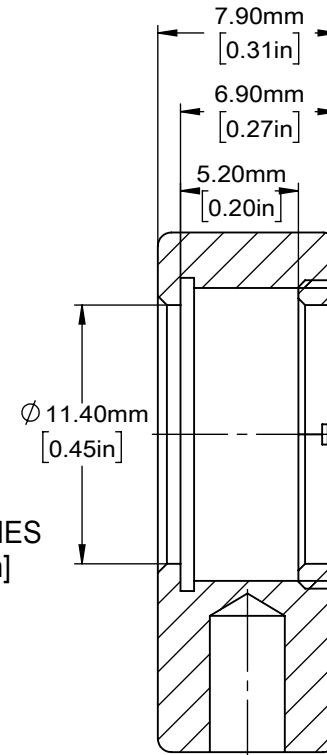
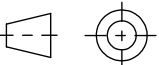


THRU TO CENTER SM05( 0.535in-40) SERIES  
INTERNAL THREAD ACCEPTS 12.7mm[0.5in]  
MAXIMUM 5.2mm[0.2in] THICK OPTICS  
1 GYKH12A RETAINING RING INCLUDED  
11.4mm [ 0.45in] CLEAR APERTURE



A-A

DRAWING PROJECTION 		<b>OMTOOLS</b>	
REV	A0		
DRAWN	TODD	WEIGHT	SCALE
DATE	2020/5/13	0.00kg	3:1
FOR INFORMATION ONLY NOT FOR MANUFACTURING PURPOSES			