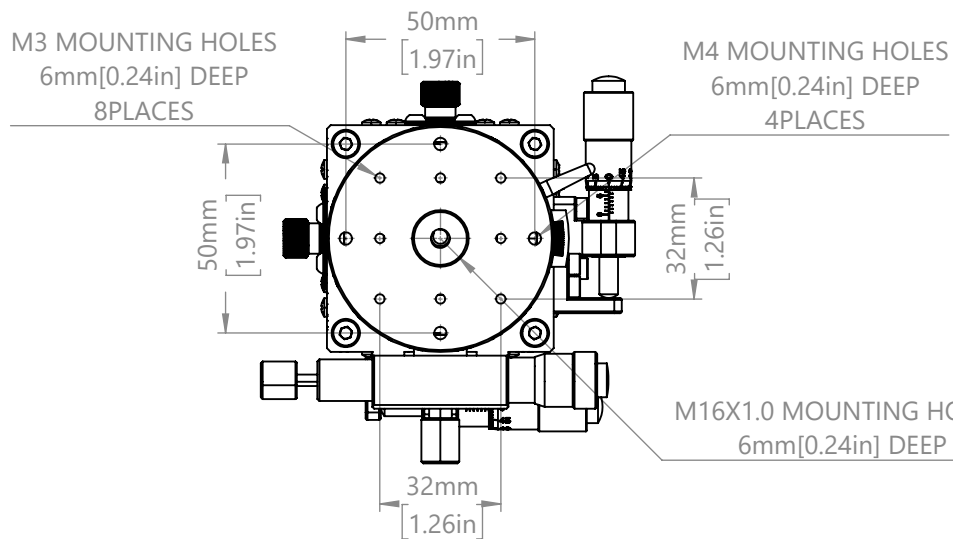
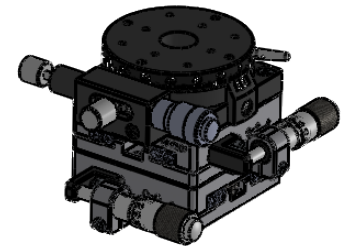
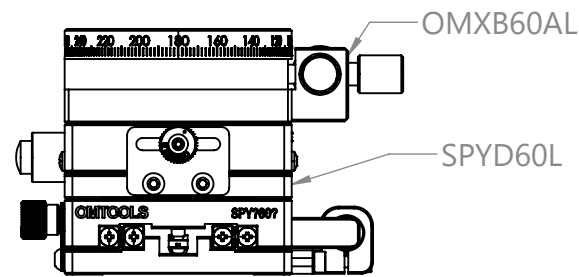
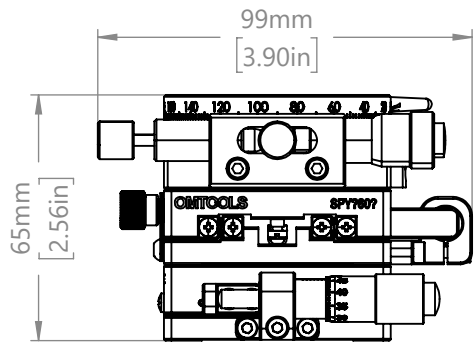


COUNTERBORE FOR M4
CAP SCREW 4 PLACES



M4 MOUNTING HOLES
6mm[0.24in] DEEP
4PLACES

M16X1.0 MOUNTING HOLES
6mm[0.24in] DEEP

DRAWING PROJECTION				<h1>OMTOOLS</h1>	
REV	A0	OMSDH03CF 带旋转台三维手动平移台			
DRAWN	TODD			WEIGHT	SCALE
DATE	2024/5/15	0.49kg	1:2		
FOR INFORMATION ONLY NOT FOR MANUFACTURING PURPOSES					