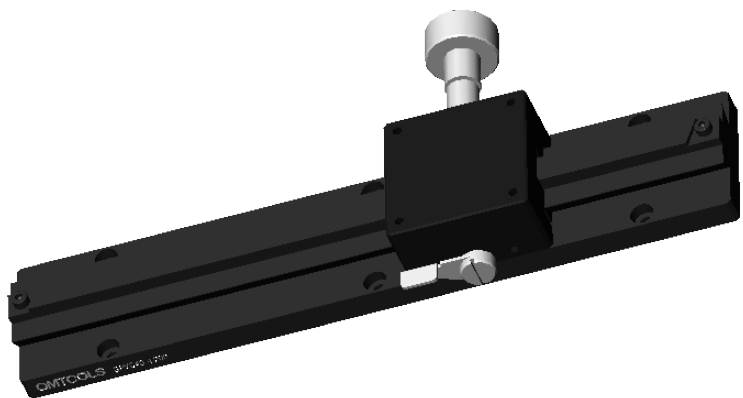
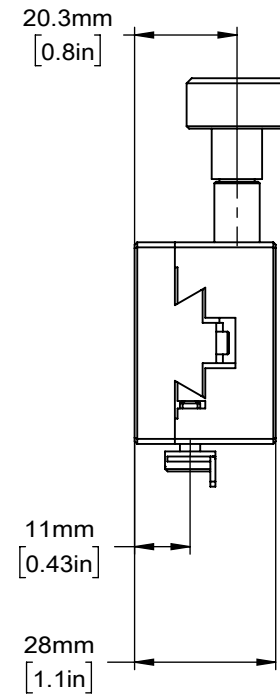
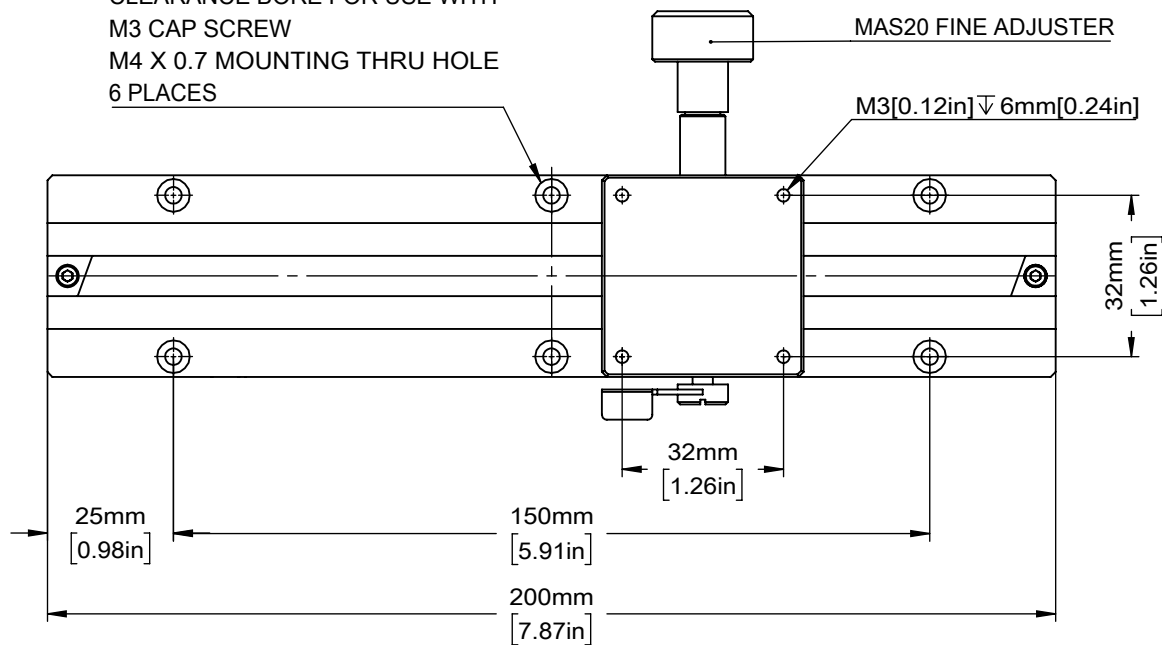
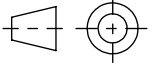


LOCKING FOR ADJUSTER KNOB

CLEARANCE BORE FOR USE WITH  
M3 CAP SCREW  
M4 X 0.7 MOUNTING THRU HOLE  
6 PLACES



DRAWING PROJECTION 		<b>OMTOOLS</b>	
REV	A0		
DRAWN	HSY	WEIGHT	SCALE
DATE	2020/7/13	kg	1:1.5
FOR INFORMATION ONLY NOT FOR MANUFACTURING PURPOSES			