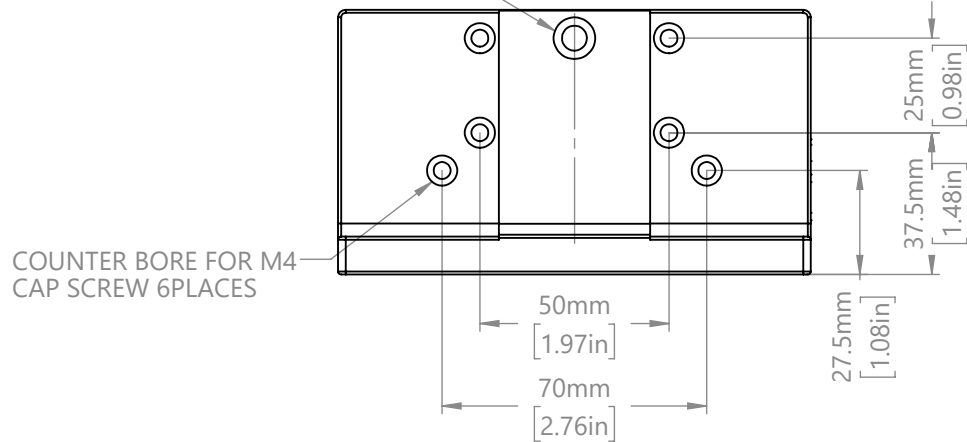
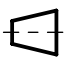




COUNTER BORE FOR M6 CAP SCREW



DRAWING PROJECTION		 			
REV	A0	OMLA07B			
DRAWN	TODD			WEIGHT	SCALE
DATE	2021/5/20	0.78kg	1:2		
FOR INFORMATION ONLY NOT FOR MANUFACTURING PURPOSES					