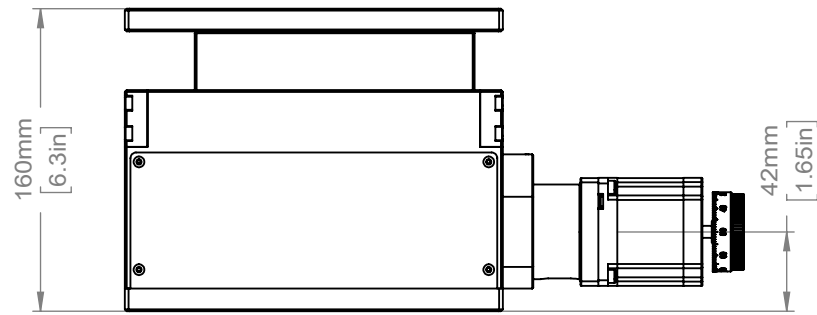
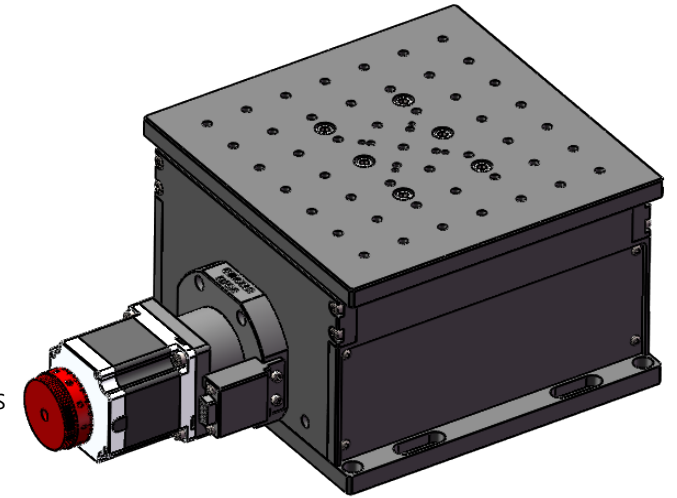
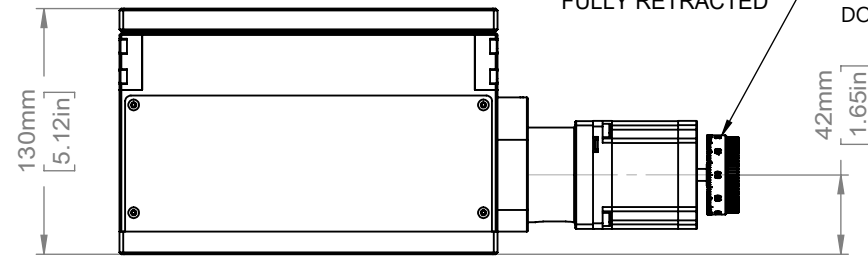


FULLY EXTENDED

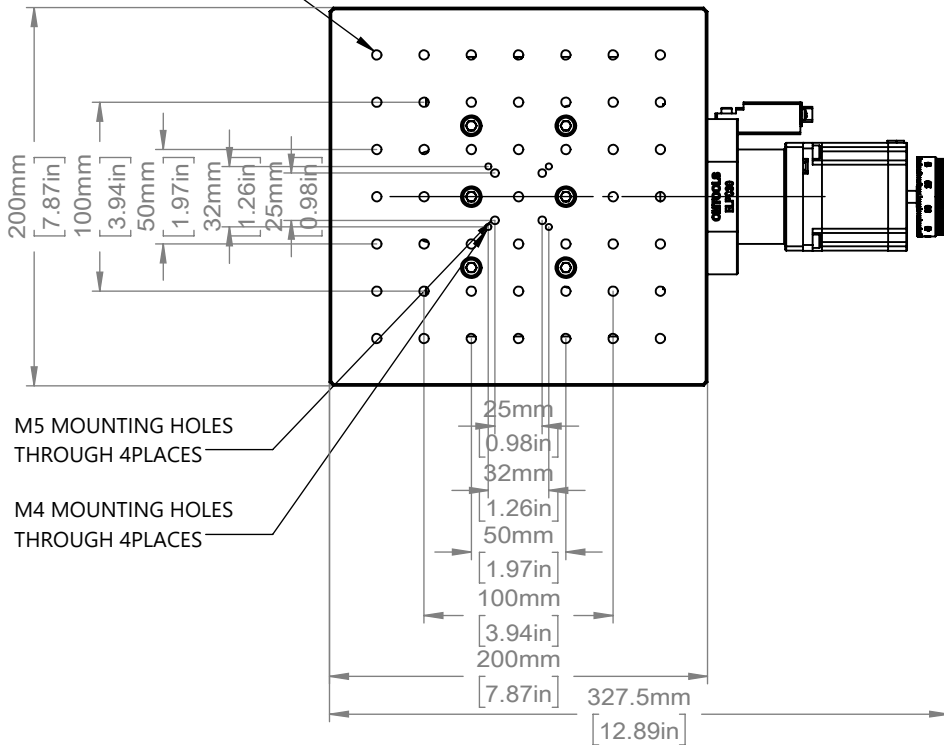


FULLY RETRACTED



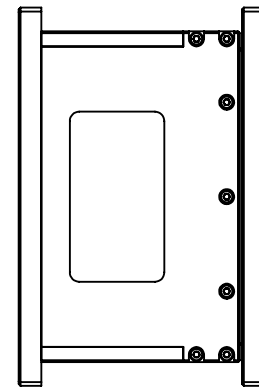
M6 MOUNTING HOLES THROUGH 49 PLACES

TOP VIEW



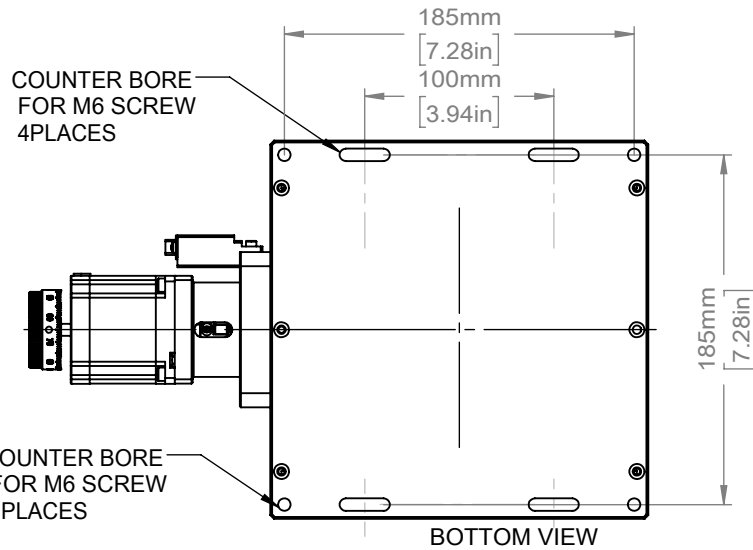
M5 MOUNTING HOLES THROUGH 4 PLACES

M4 MOUNTING HOLES THROUGH 4 PLACES

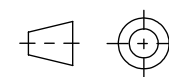


COUNTER BORE FOR M6 SCREW 4 PLACES

COUNTER BORE FOR M6 SCREW 4 PLACES



DRAWING PROJECTION



**OMTOOLS**

REV	A0	ELPC30	
DRAWN	HSY	WEIGHT	SCALE
DATE	2020.12.03	8.424kg	1:4
FOR INFORMATION ONLY NOT FOR MANUFACTURING PURPOSES			