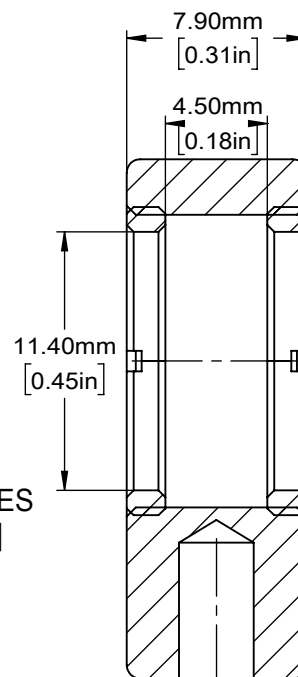
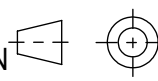


THRU TO CENTER SM05(0.535in-40) SERIES
INTERNAL THREAD ACCEPTS 12.7mm[0.5in]
MAXIMUM 4.5mm[0.18in] THICK OPTICS
2 GYKH12A RETAINING RING INCLUDED
11.4mm [0.45in] CLEAR APERTURE



A-A

DRAWING PROJECTION 		OMTOOLS	
REV	A0		
DRAWN	TODD	WEIGHT	SCALE
DATE	2020/5/13	0.00kg	3:1
FOR INFORMATION ONLY NOT FOR MANUFACTURING PURPOSES			