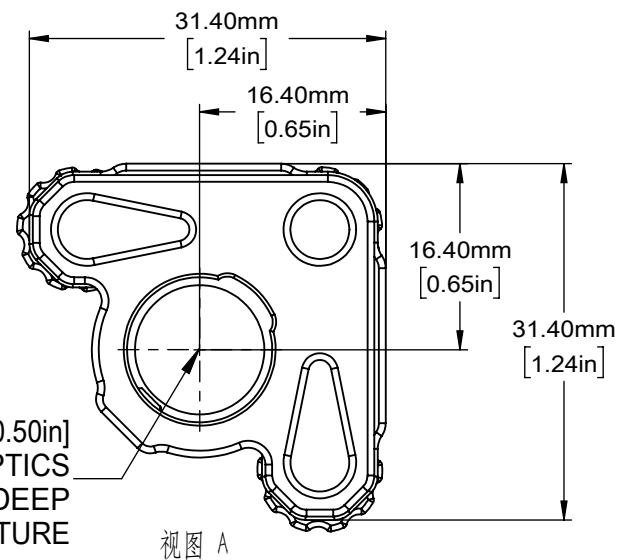


MOUNTING DOUBLE-BORE ACCEPTS 12.7mm [0.50in]
MINIMUM 2.0mm [0.08in] THICK OPTICS
5.2mm [0.2in] DEEP
11.4mm [0.45in] CLEAR APERTURE



DRAWING PROJECTION

OMTOOLS

REV	A0
DRAWN	TODD
DATE	2020/5/26
FOR INFORMATION ONLY NOT FOR MANUFACTURING PURPOSES	

OMT12A	
WEIGHT	SCALE
0.02kg	3:2