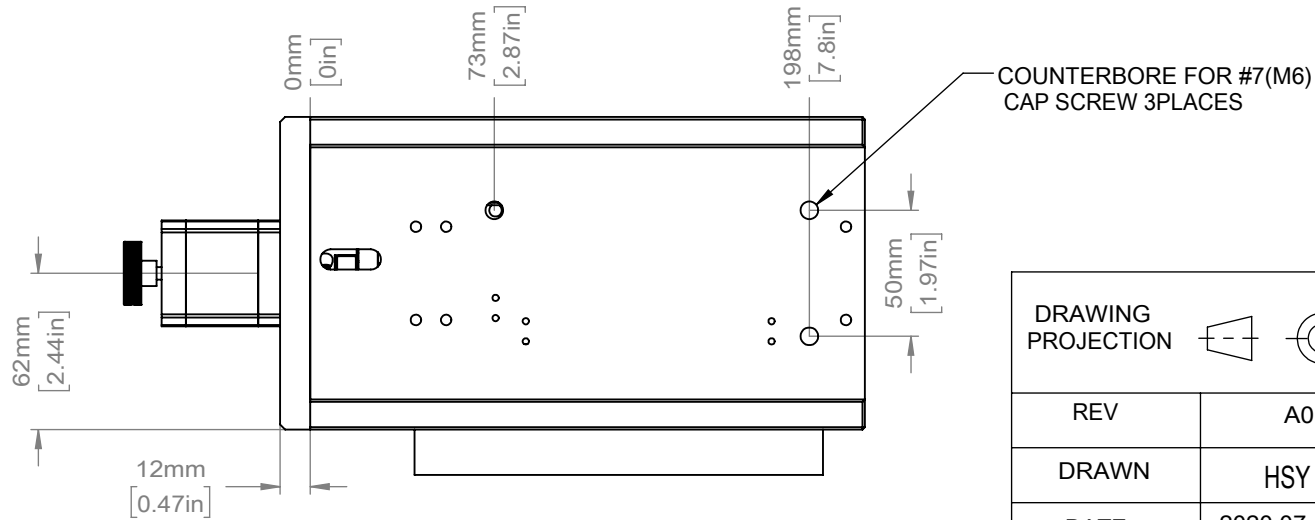
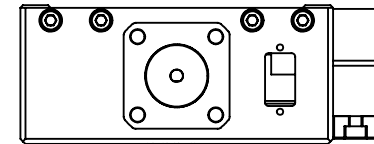
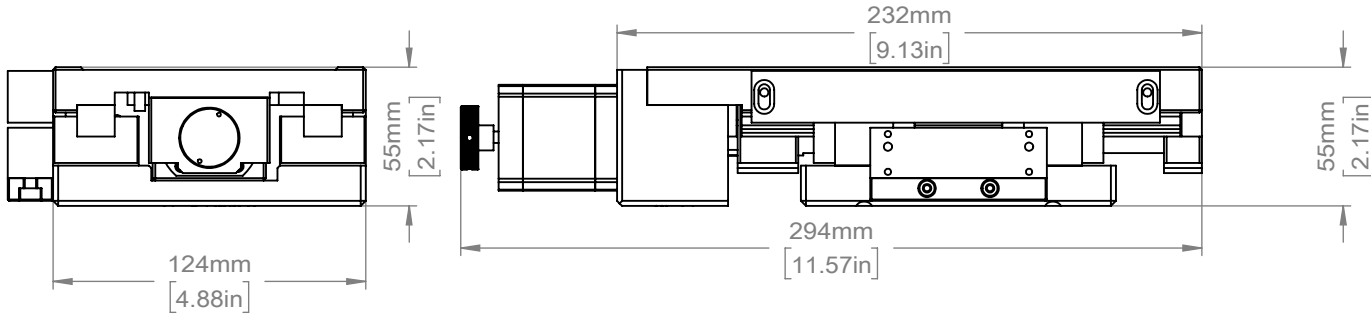
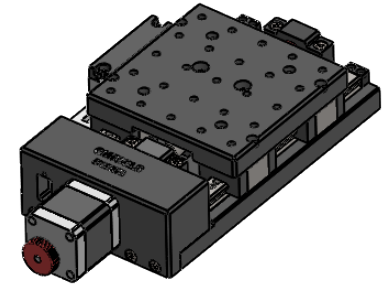
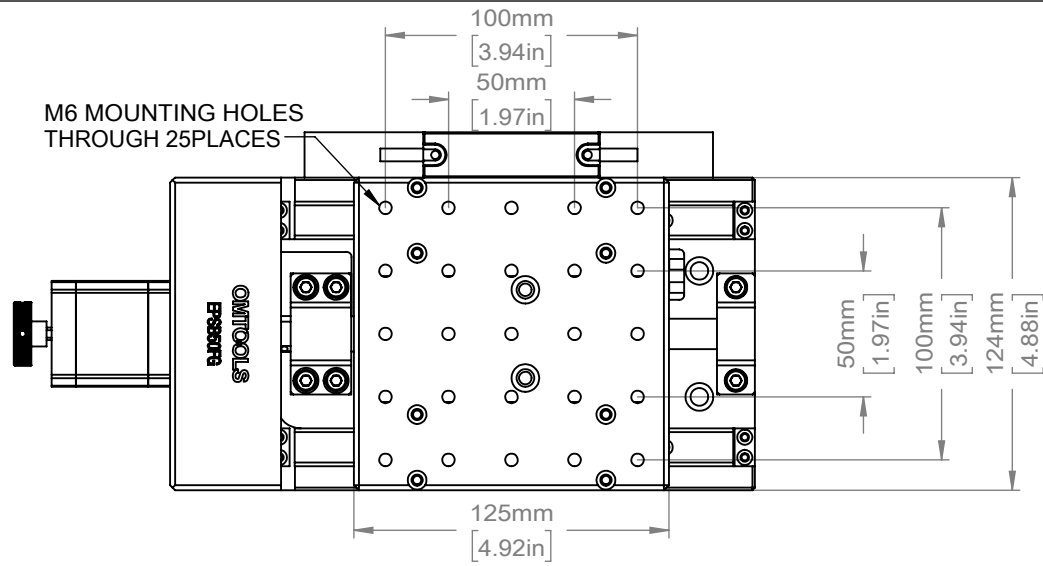


M6 MOUNTING HOLES THROUGH 25 PLACES



DRAWING PROJECTION				<b>OMTOOLS</b>	
REV	A0				
DRAWN	HSY	WEIGHT		SCALE	
DATE	2020.07.10	kg		1:3	
FOR INFORMATION ONLY NOT FOR MANUFACTURING PURPOSES					