

Ø 6.0mm [ 0.24in ] THRU HOLE  
FOR USE WITH CAGE RODS  
4 PLACES

SM05 ( 0.535in-40 ) SERIES INTERNAL  
THREAD ACCEPTS 12.7mm [ 0.50in ]  
MAXIMUM 7.9mm[0.31in] THICK OPTICS  
1 GYKH12A RETAINING RINGS INCLUDED  
11.4mm [ 0.45in ] CLEAR APERTURE

LOCKING FOR 6mm ( 0.24in ) RODS  
1.5mm(0.06in) HEX  
8 PLACES

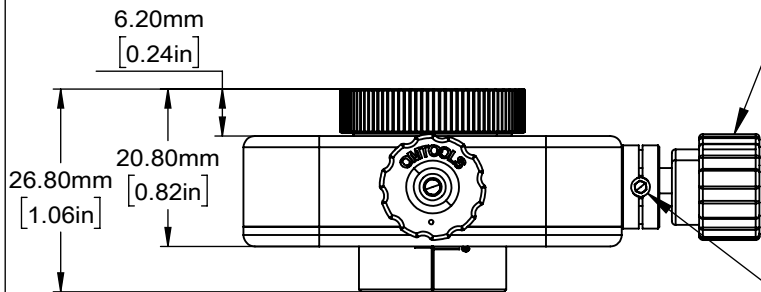
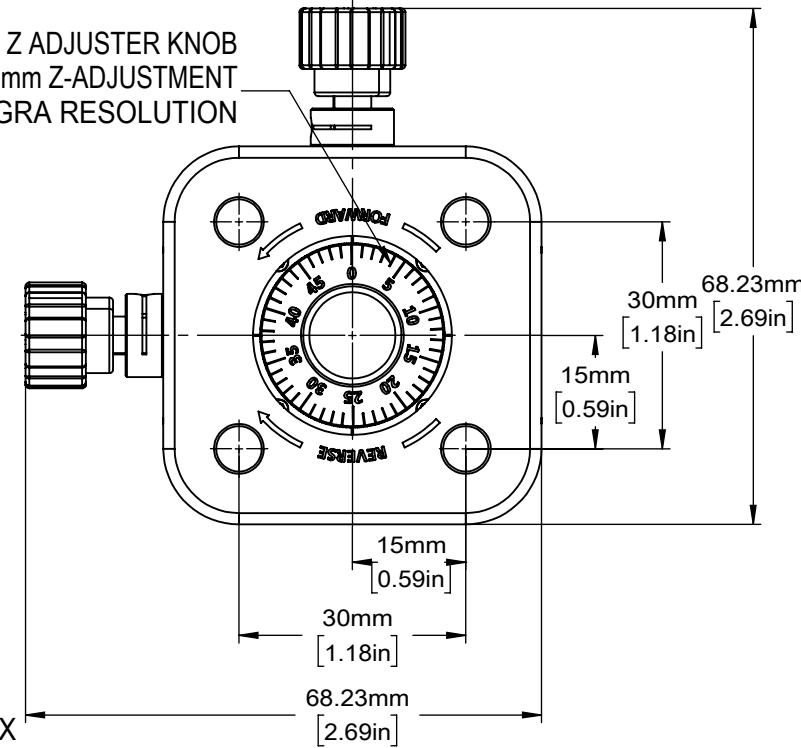
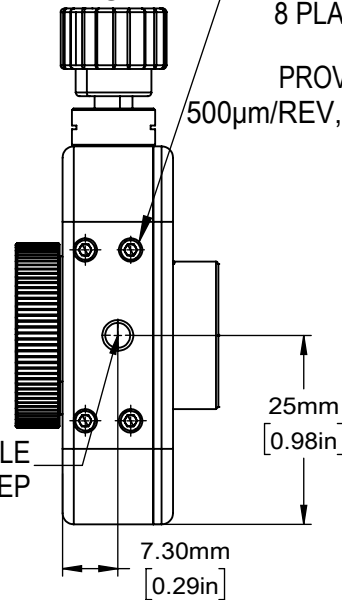
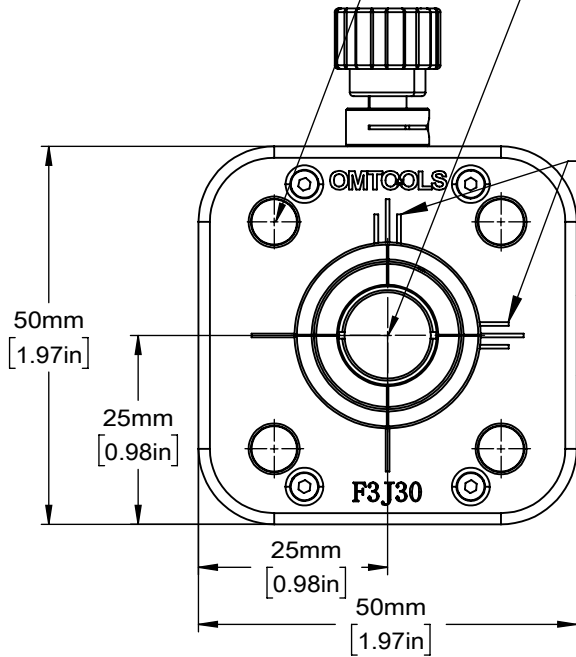
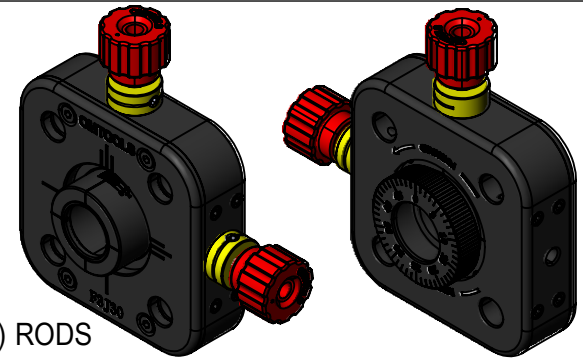
Z ADJUSTER KNOB  
PROVIDES 3mm Z-ADJUSTMENT  
500µm/REV, 10µm/GRA RESOLUTION

±1.5mm X & Y PLANE  
TRAVEL RANG

M4X0.7 TAPPED HOLE  
5.5mm DEEP

ADJUSTER KNOB WITH 2.0mm ( 5/64in ) HEX  
M5x0.25 THREAD, 0.25mm/REV [0.01in/REV]  
2 PLACES

LOCKING FOR ADJUSTER KNOB  
1.5mm(0.06in) HEX  
2 PLACES



DRAWING PROJECTION		<b>OMTOOLS</b>	
REV	A0	F3J30	
DRAWN	TODD	WEIGHT	SCALE
DATE	2020/5/13	0.08kg	1:1
FOR INFORMATION ONLY NOT FOR MANUFACTURING PURPOSES			