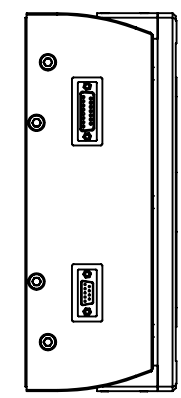
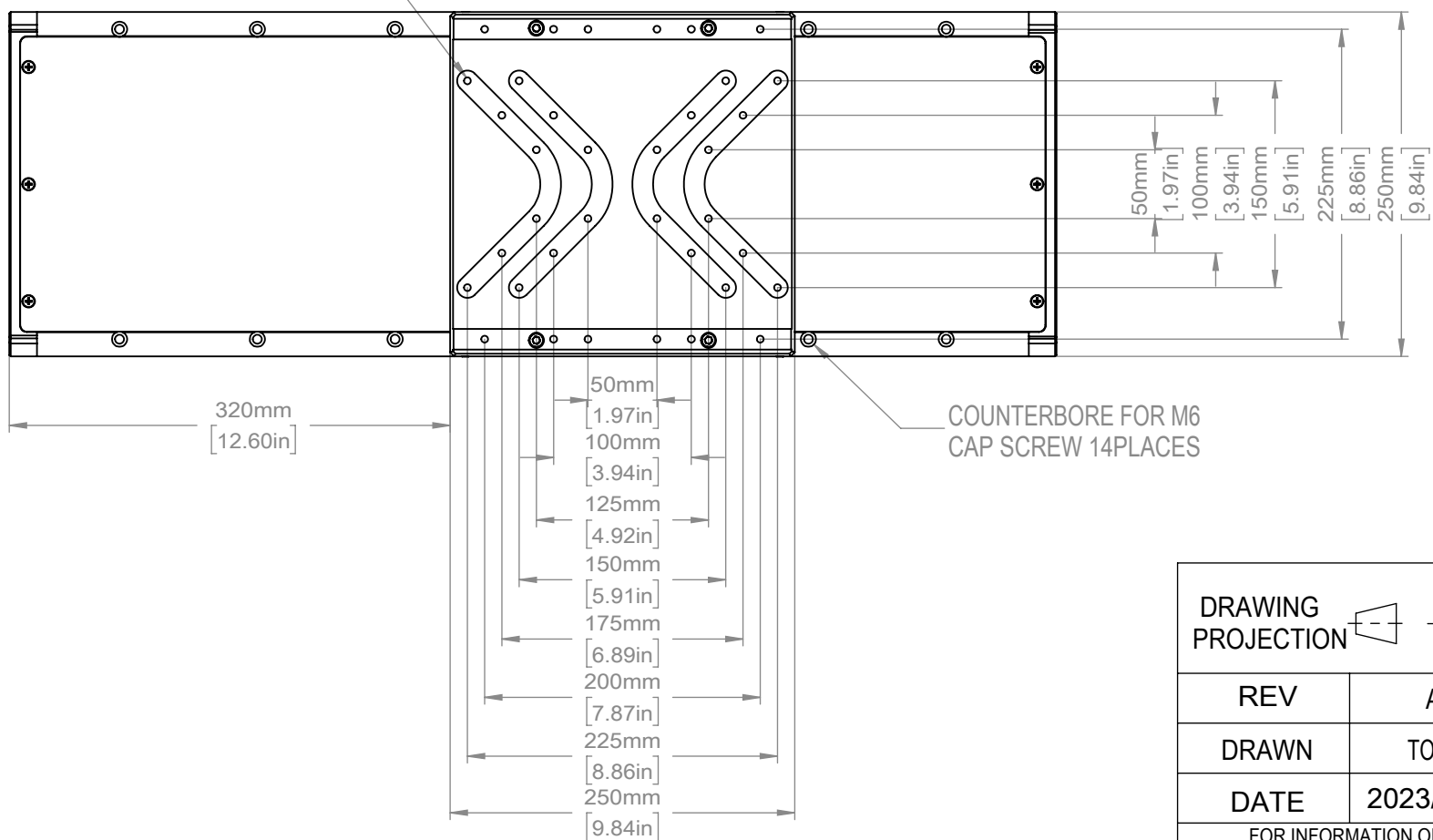
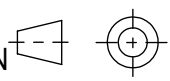


M6 MOUNTING HOLES THROUGH 36 PLACES



| | | | |
|--|----------|------------------|-------|
| DRAWING PROJECTION  | | OMTOOLS | |
| REV | A0 | EPSG300 全封闭电动位移台 | |
| DRAWN | TODD | WEIGHT | SCALE |
| DATE | 2023/3/8 | 21.37kg | 1:5 |
| FOR INFORMATION ONLY NOT FOR MANUFACTURING PURPOSES | | | |