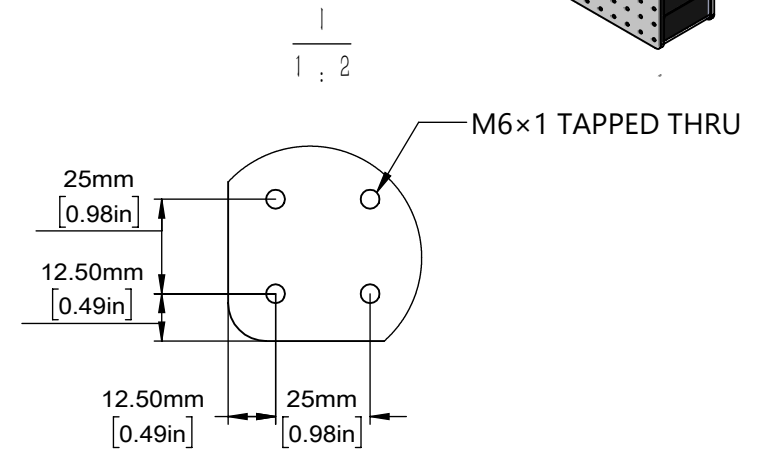


NO.	ITEM	A LENGTH/mm[in]	B WINTH/mm[in]	C HEIGTH/mm[in]
1	HMBC0606B	600[23.6]	600[23.6]	100[3.9]
2	HMBC0906B	900[35.4]	600[23.6]	100[3.9]
3	HMBC1008B	1000[39.4]	800[31.5]	100[3.9]
4	HMBC1208B	1200[47.2]	800[31.5]	100[3.9]
5	HMBC1509C	1500[59.1]	900[35.4]	150[5.9]
6	HMBC1510C	1500[59.1]	1000[39.4]	150[5.9]
7	HMBC1512C	1500[59.1]	1200[47.2]	150[5.9]
8	HMBC1609C	1600[63.0]	900[35.4]	150[5.9]
9	HMBC1812D	1800[70.9]	1200[47.2]	200[7.9]
10	HMBC1815D	1800[70.9]	1500[59.1]	200[7.9]
11	HMBC2010D	2000[78.7]	1000[39.4]	200[7.9]
12	HMBC2012D	2000[78.7]	1200[47.2]	200[7.9]
13	HMBC2412D	2400[94.5]	1200[47.2]	200[7.9]
14	HMBC2415D	2400[94.5]	1500[59.1]	200[7.9]
15	HMBC3010D	3000[118.1]	1000[39.4]	200[7.9]
16	HMBC3012D	3000[118.1]	1200[47.2]	200[7.9]
17	HMBC3015F	3000[118.1]	1500[59.1]	300[11.8]
18	HMBC3512F	3500[137.8]	1200[47.2]	300[11.8]
19	HMBC3515F	3500[137.8]	1500[59.1]	300[11.8]
20	HMBC4015F	4000[157.5]	1500[59.1]	300[11.8]
21	HMBC4215F	4200[165.4]	1500[59.1]	300[11.8]
22	HMBC4815F	4800[189.0]	1500[59.1]	300[11.8]
23	HMBC5015F	5000[196.9]	1500[59.1]	300[11.8]
24	HMBC6015F	6000[236.2]	1500[59.1]	300[11.8]



DRAWING PROJECTION		OMTOOLS	
REV	A0		
DRAWN	TODD	WEIGHT	SCALE
DATE	2022/11/9	kg	1:10
FOR INFORMATION ONLY NOT FOR MANUFACTURING PURPOSES			