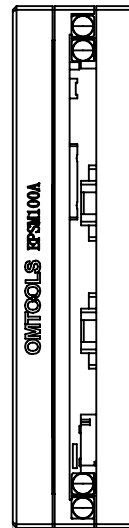
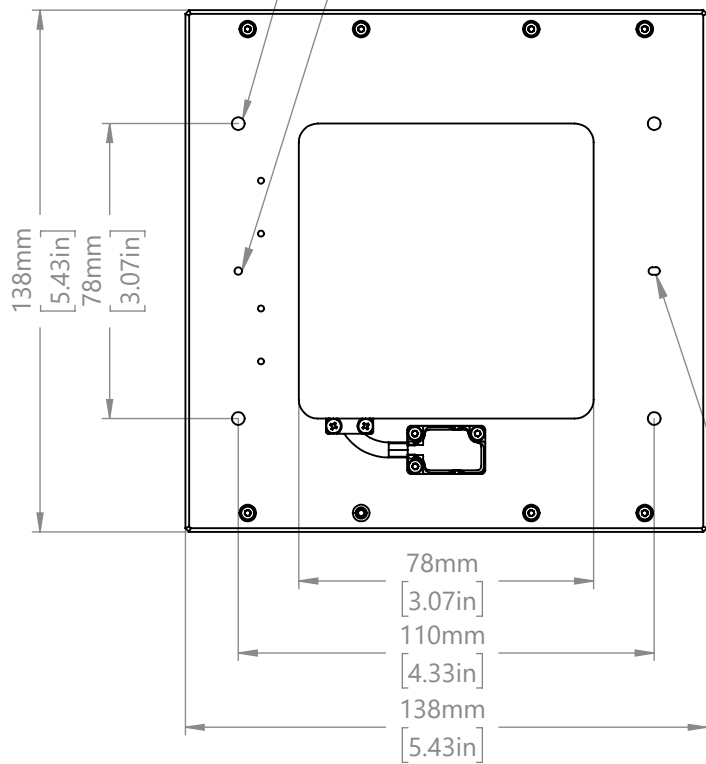


COUNTERBORE FOR M3
CAP SCREW 4 PLACES

∅2mm ALIGNMENT PIN
HOLES 1 PLACES

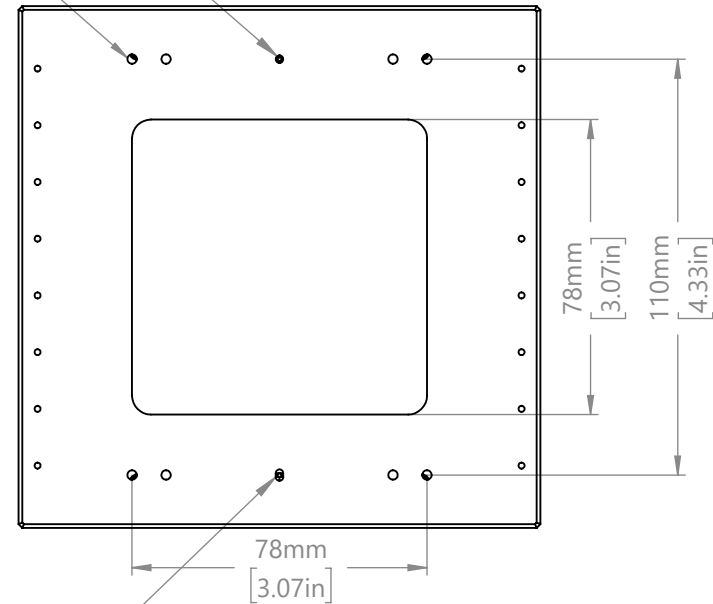
∅2mm ALIGNMENT PIN
HOLES 1 PLACES

M3 MOUNTING HOLES
THROUGH 4 PLACES

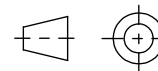


∅2mm ALIGNMENT PIN
WAIST SHAPE
HOLES 1 PLACES

∅2mm ALIGNMENT PIN
WAIST SHAPE
HOLES 1 PLACES



DRAWING
PROJECTION



OMTOOLS

REV

A0

EPMS100A 线性压电位移台

DRAWN

TODD

DATE

2023/6/13

WEIGHT

SCALE

FOR INFORMATION ONLY
NOT FOR MANUFACTURING PURPOSES

0.65kg

1:2