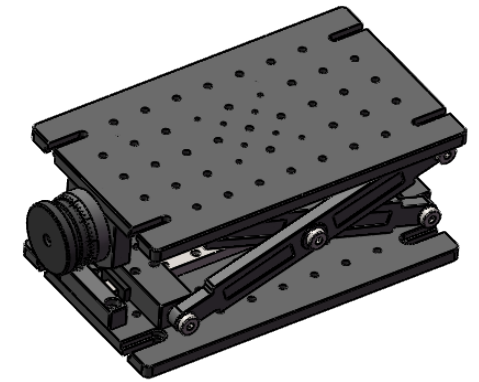
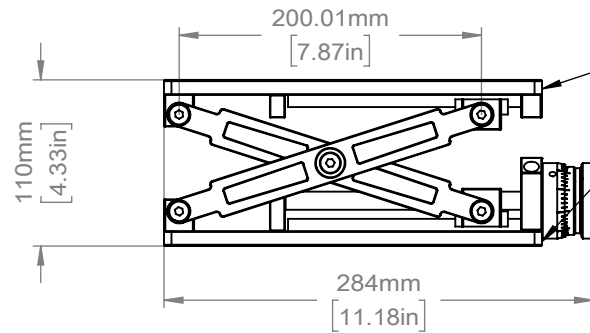
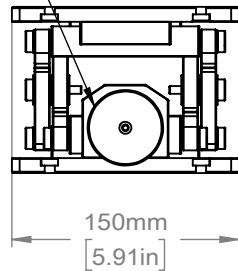


FULLY EXTENDED



Ø 50 HEX SOCKET
ADJUSTER ROD
DO NOT SCREW/UNSCREW PAST EXTENTS

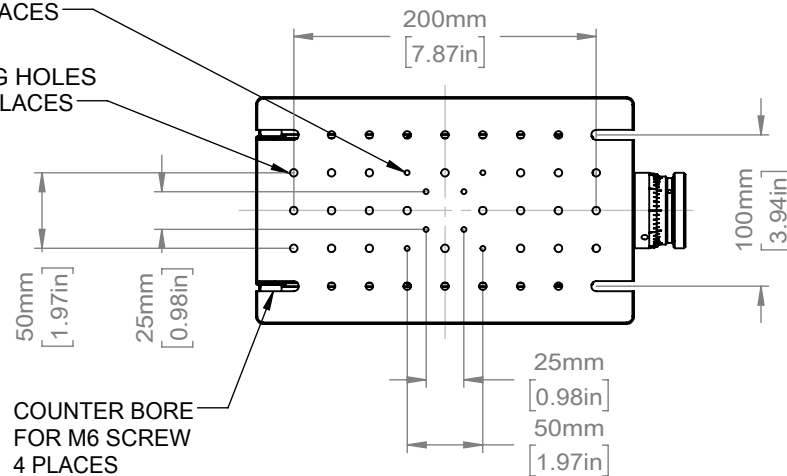


FULLY RETRACTED

PLATES HAVE IDENTICAL
HOLE PATTERNS

M4 MOUNTING HOLES
THROUGH 8 PLACES

M6 MOUNTING HOLES
THROUGH 37 PLACES



COUNTER BORE
FOR M6 SCREW
4 PLACES

DRAWING PROJECTION				OMTOOLS	
REV	A0	OMHA120A			
DRAWN	HSY			WEIGHT	SCALE
DATE	2020.06.03	2.094kg	1:5		
FOR INFORMATION ONLY NOT FOR MANUFACTURING PURPOSES					