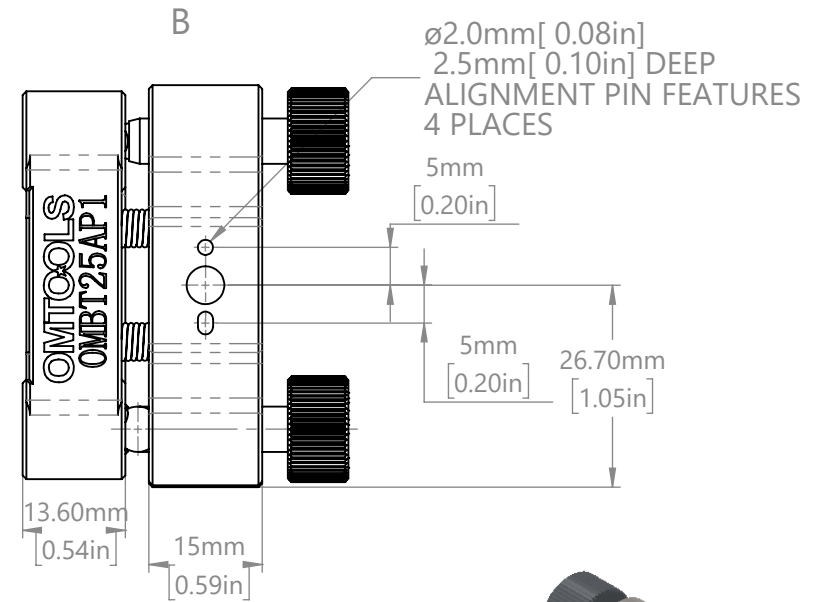
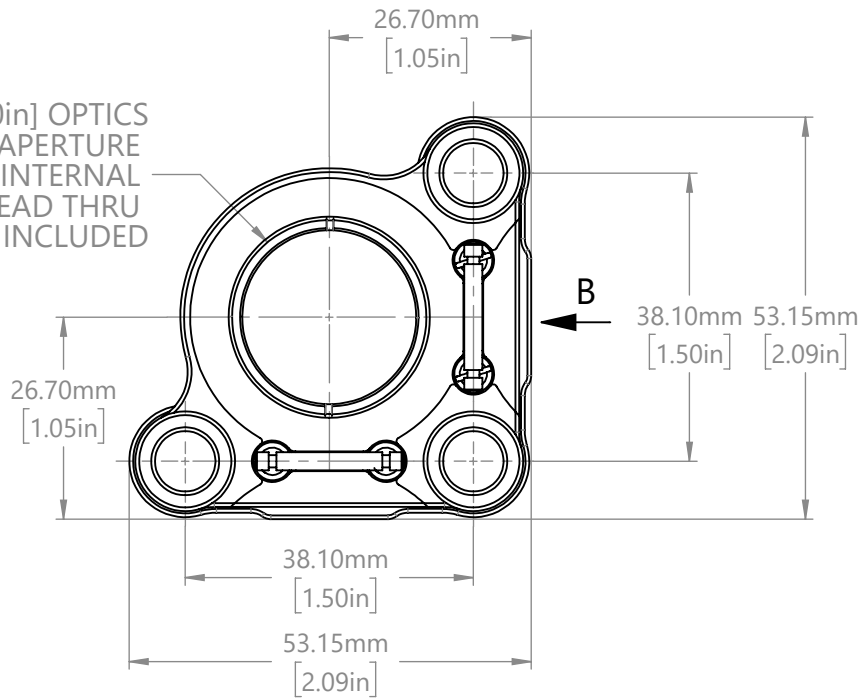
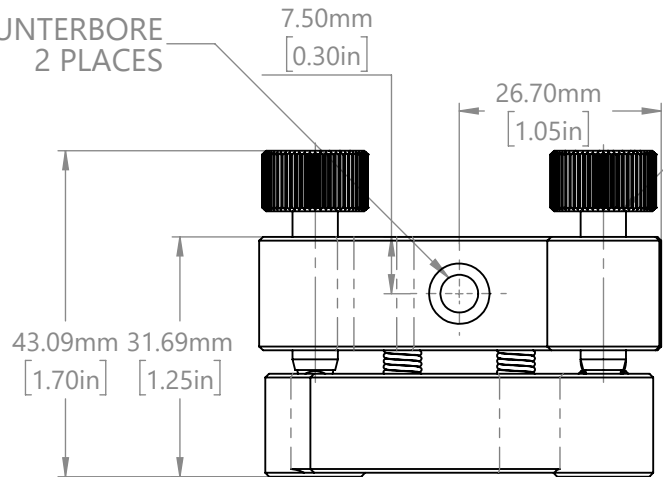


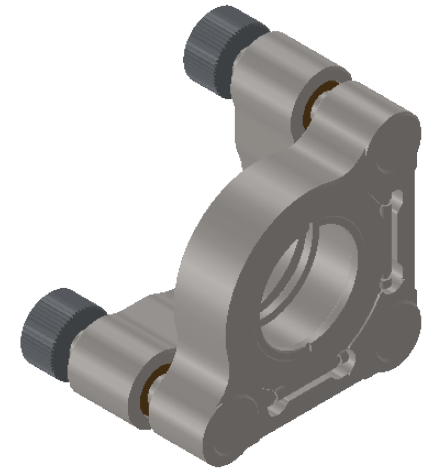
ACCEPTS  $\varnothing 25.4\text{mm}$  [ 1.00in] OPTICS  
 $\varnothing 22.8\text{mm}$  [ 0.9in] CLEAR APERTURE  
 SM1 (1.035-40) SERIES INTERNAL  
 THREAD THRU  
 2 PCS GYKH25C INCLUDED



M4 COUNTERBORE  
 2 PLACES



M6X0.25 ADJUSTER SCREWS  
 PROVIDES  $\pm 4^\circ$  TOTAL ANGULAR  
 DISPLACEMENT ( $0.4^\circ$  PER REV-  
 OLUTION) 2 PLACES  
 2.0mm [5/64in] HEX



DRAWING PROJECTION				<h1>OMTOOLS</h1>	
REV	A0	OMBT25CP1 不锈钢光学调整架			
DRAWN	TODD			WEIGHT	SCALE
DATE	2023/12/12	0.29kg	1:1		
FOR INFORMATION ONLY NOT FOR MANUFACTURING PURPOSES					