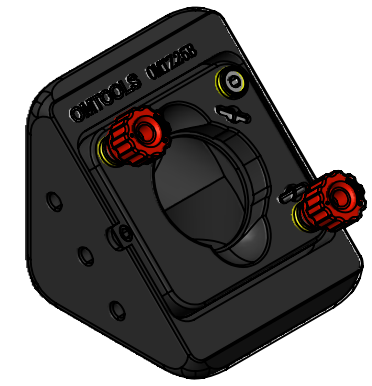
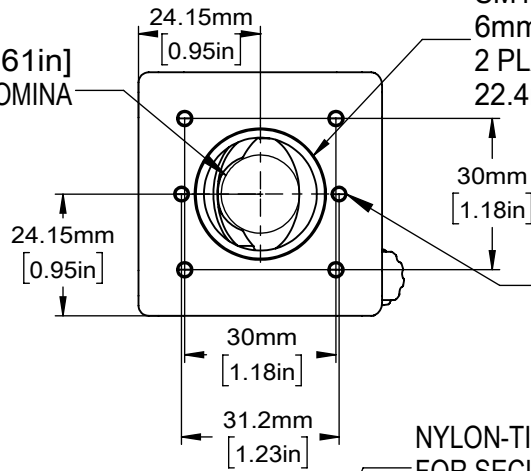
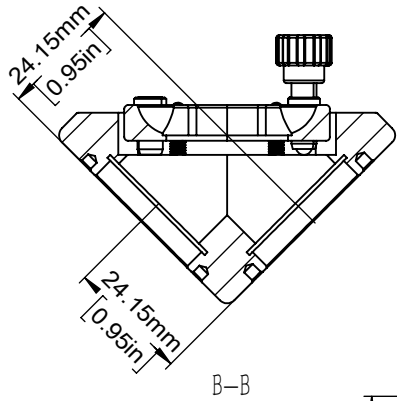


SM1 (1.035-40) SERIES INTERNAL THREAD
 6mm [0.236in] DEEP
 2 PLACES TOTAL, 1 PER SIDE
 22.4mm [0.88in] CLEAR APERTURE



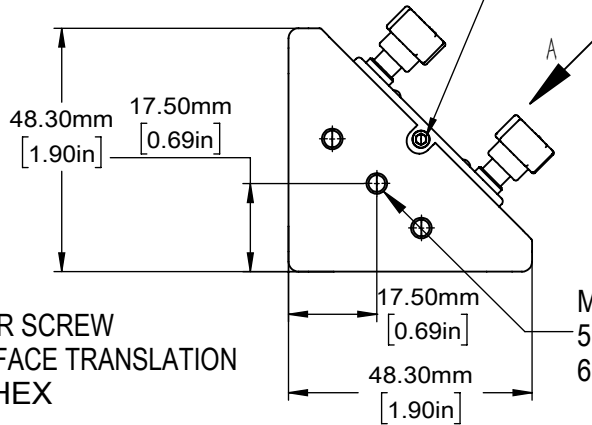
Ø 15.50mm [0.61in]
 CLEAR APERTURE NOMINA



2.4mm (0.09in)
 DOWEL ALIGNMENT HOLES
 FOR LBB (CAGE CUBE
 CONNECTOR, NOT INCLUDED)
 4 PLACES
 (2 PLACES , 2 SIDES)

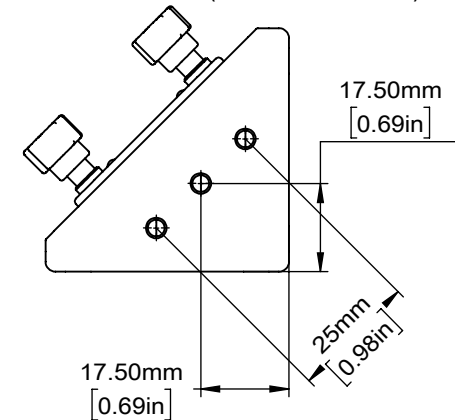
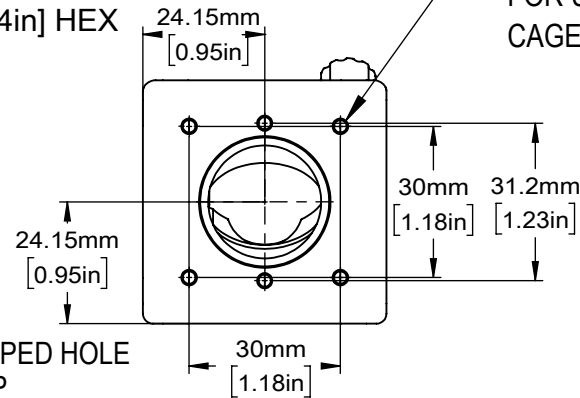
NYLON-TIPPED SET SCREW
 FOR SECURING OF MOUNTED OPTIC
 2.0mm [5/64in] HEX

M3x0.5 TAPPED HOLES
 8 PLACES (4 PLACES , 2 SIDES)
 FOR USING WITH 6mm
 CAGE ASSEMBLY RODS (NOT INCLUDED)

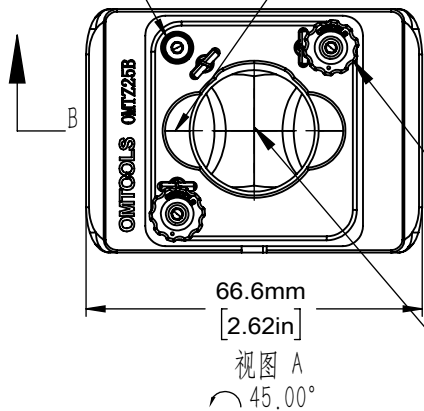


M5X0.25 ADJUSTER SCREW
 FOR MIRROR SURFACE TRANSLATION
 2.0mm [5/64in] HEX

M4X0.7 TAPPED HOLE
 5.5mm DEEP
 6 PLACES



AIDS IN INSTALLATION/REMOVAL OF OPTICS



M5X0.25 ADJUSTER SCREWS
 PROVIDES +/-4° TOTAL ANGULAR DISPLACEMENT
 (0.25mm PER REVOLUTION)
 2 PLACES
 2.0mm [5/64in] HEX

MOUNTING DOUBLE-BORE ACCEPTS 25.4mm [1.00in]
 MINIMUM 3.0mm[0.12in] THICK OPTICS
 6mm[0.236in] DEEP
 24.1mm [0.95in] CLEAR APERTURE

视图 A
 45.00°

DRAWING PROJECTION		OMTOOLS	
REV	A0		
DRAWN	TODD	WEIGHT	SCALE
DATE	2020/7/24	0.13kg	2:3
FOR INFORMATION ONLY NOT FOR MANUFACTURING PURPOSES			