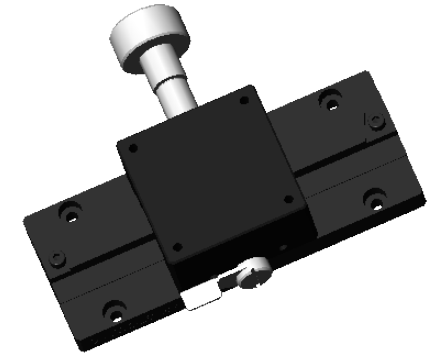
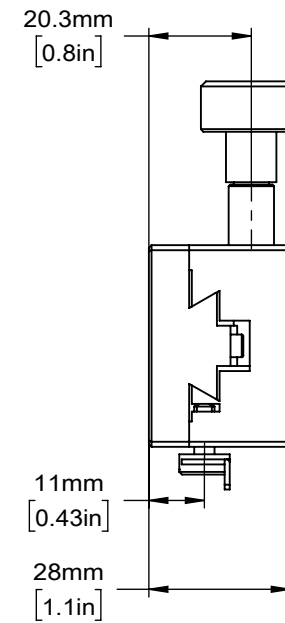
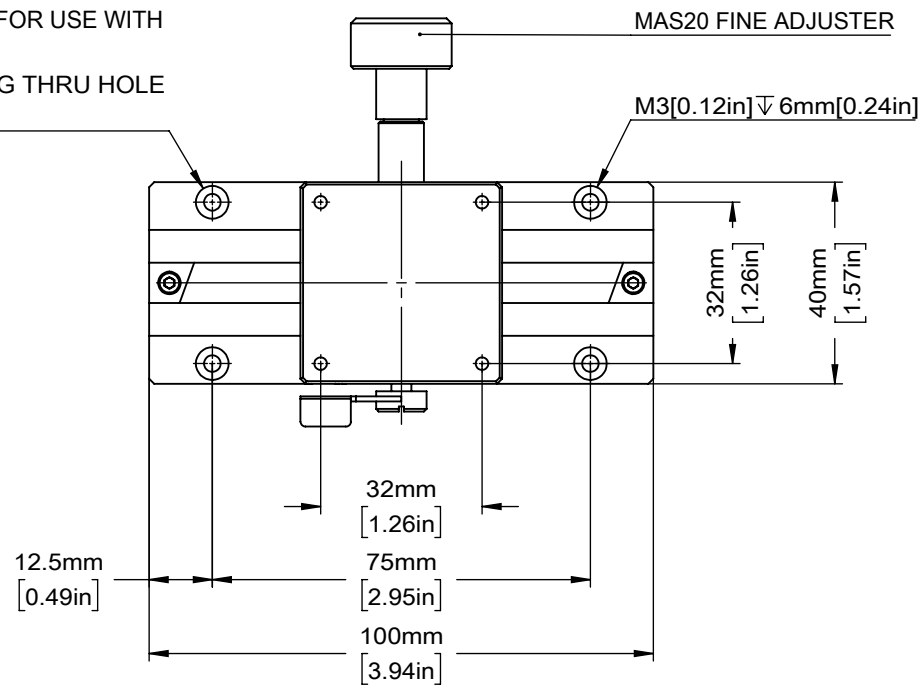
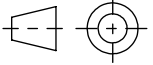


LOCKING FOR ADJUSTER KNOB



CLEARANCE BORE FOR USE WITH
M3 CAP SCREW
M4 X 0.7 MOUNTING THRU HOLE
4 PLACES



| | | | |
|--|-----------|----------------|-------|
| DRAWING PROJECTION  | | OMTOOLS | |
| REV | A0 | | |
| DRAWN | HSY | WEIGHT | SCALE |
| DATE | 2020/7/13 | kg | 1:1.5 |
| FOR INFORMATION ONLY NOT FOR MANUFACTURING PURPOSES | | | |