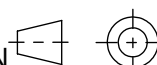


|  |           |                |       |
|--|-----------|----------------|-------|
| DRAWING PROJECTION  |           | <b>OMTOOLS</b> |       |
| REV  | A0        | OMT50A         |       |
| DRAWN  | TODD      |                |       |
| DATE   | 2020/7/24 | WEIGHT         | SCALE |
| FOR INFORMATION ONLY<br>NOT FOR MANUFACTURING PURPOSES   |           | 0.12kg         | 2:3   |