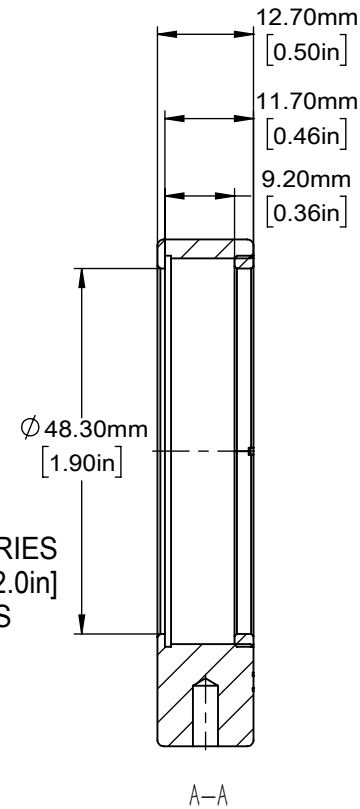


THRU TO CENTER SM2(2.035in-40) SERIES
INTERNAL THREAD ACCEPTS 50.8mm[2.0in]
MAXIMUM 9.2mm[0.36in] THICK OPTICS
1 GYKH50A RETAINING RING INCLUDED
48.3mm [1.9in] CLEAR APERTURE



DRAWING PROJECTION

OMTOOLS

REV A0

DRAWN TODD

DATE 2020/5/13

FOR INFORMATION ONLY
NOT FOR MANUFACTURING PURPOSES

F2H50A

WEIGHT

0.03kg

SCALE

1:1