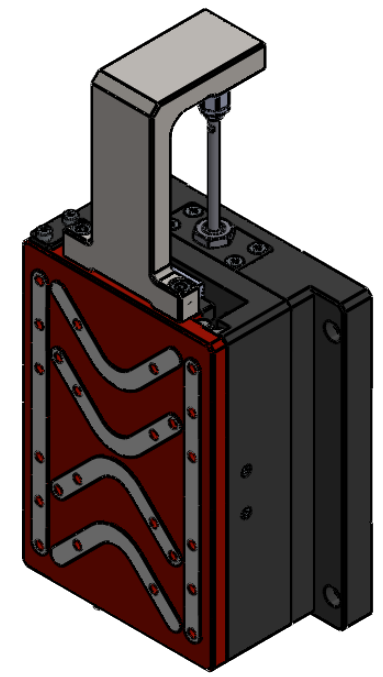
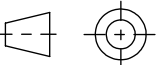


M6 MOUNTING HOLES THROUGH 24 PLACES

COUNTERBORE FOR M6 CAP SCREW 4 PLACES



DRAWING PROJECTION 		<b>OMTOOLS</b>	
REV	A0	OMZS100 直驱升降台	
DRAWN	TODD	WEIGHT	SCALE
DATE	2022/12/1	4.86kg	1:3
FOR INFORMATION ONLY NOT FOR MANUFACTURING PURPOSES			