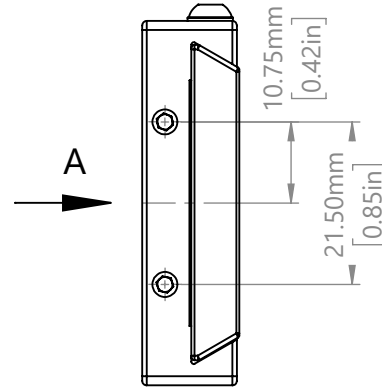
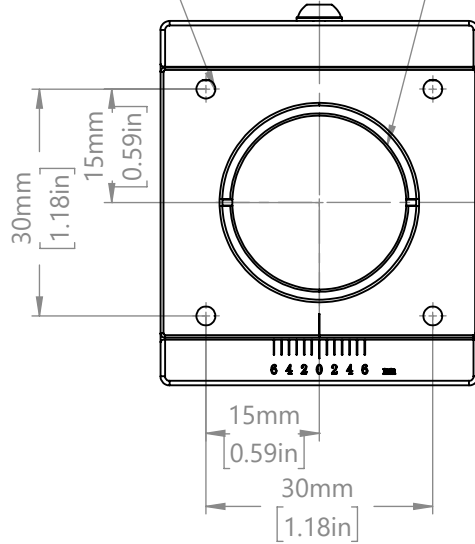
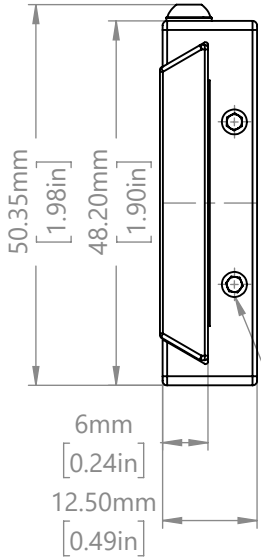


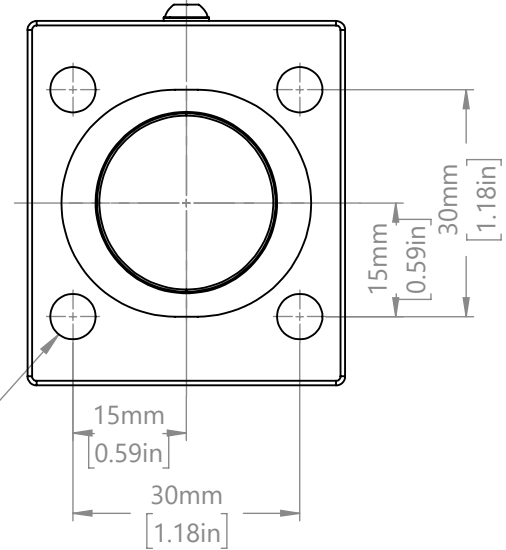
VIEW A

M3 MOUNTING HOLES FOR USE WITH CAGE RODS THROUGH 4 PLACES

SM1 (1.035in-40) SERIES INTERNAL THREAD
ACCEPTS 25.4mm [1.00in] MAXIMUM 3.5mm [0.138in] THICK OPTICS
1 GYKH25A RETAINING RINGS INCLUDED
2.1mm [0.08in] THICK
23.0mm [0.90in] CLEAR APERTURE

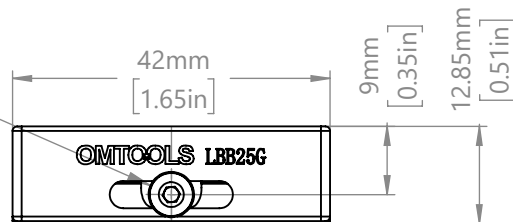


Ø 6mm [0.24in] HOLE FOR USE WITH CAGE RODS 5.1mm [0.20in] DEEP HOLES 4 PLACES



M4 LOCKING SCREW 2mm [0.08in] HEX 2 PLACES, BOTH SIDES

POSITION LOCKING SCREW 2.0mm [5/64in] HEX WITH STEEL WASHER



DRAWING PROJECTION				<h1>OMTOOLS</h1>	
REV	A0	LBB25G			
DRAWN	TODD			WEIGHT	SCALE
DATE	2023/7/4	0.05kg	1:1		
FOR INFORMATION ONLY NOT FOR MANUFACTURING PURPOSES					