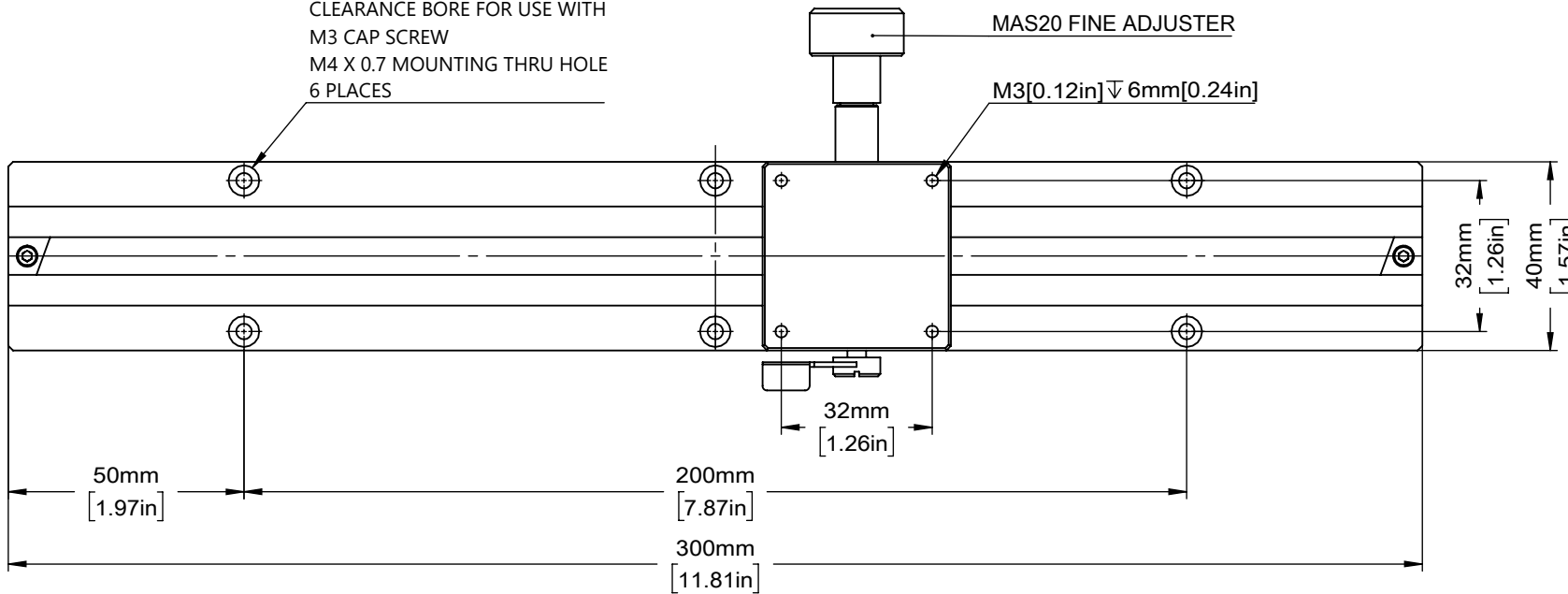


LOCKING FOR ADJUSTER KNOB

CLEARANCE BORE FOR USE WITH  
M3 CAP SCREW  
M4 X 0.7 MOUNTING THRU HOLE  
6 PLACES

MAS20 FINE ADJUSTER

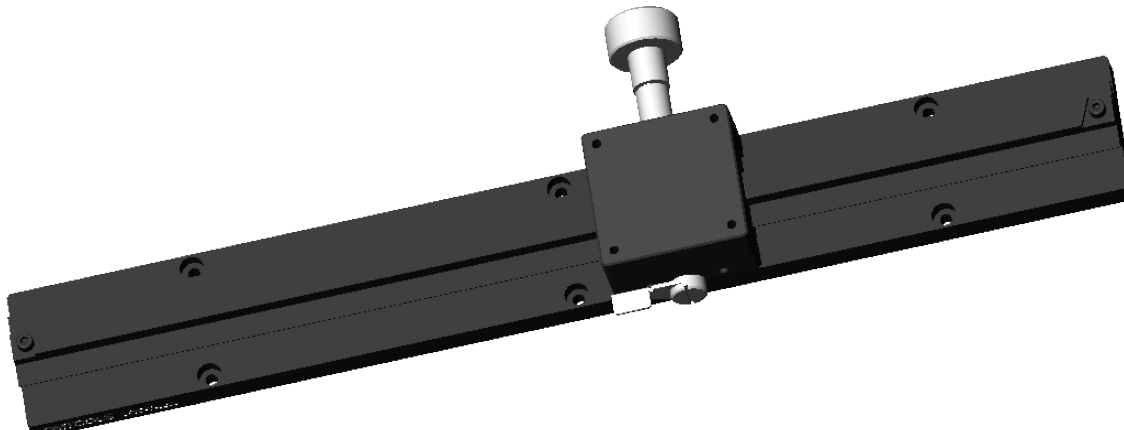
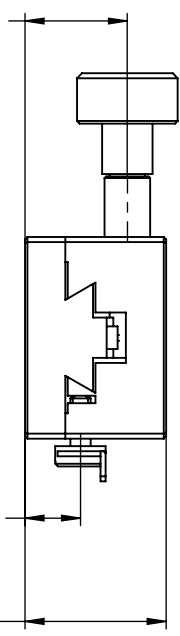
M3[0.12in] ∇ 6mm[0.24in]



20.3mm [0.8in]

11mm [0.43in]

28mm [1.1in]



DRAWING PROJECTION			
REV	A0		
DRAWN	HSY	SPYC40-L300	
DATE	2020/7/13	WEIGHT	SCALE
FOR INFORMATION ONLY NOT FOR MANUFACTURING PURPOSES		kg	1:1.5